

Q the story

In the development of QSS™ all issues of modern “Group B” street lighting requirements have been considered in the design of QSS.

CEN code

QSS™ was developed primarily for illuminance lighting requirements prescribed in the new BS5489 2003 standard, especially for S Class, ES Class, EV Class and CE Class requirements but it also performs extremely well to ME Class (luminance) standards.

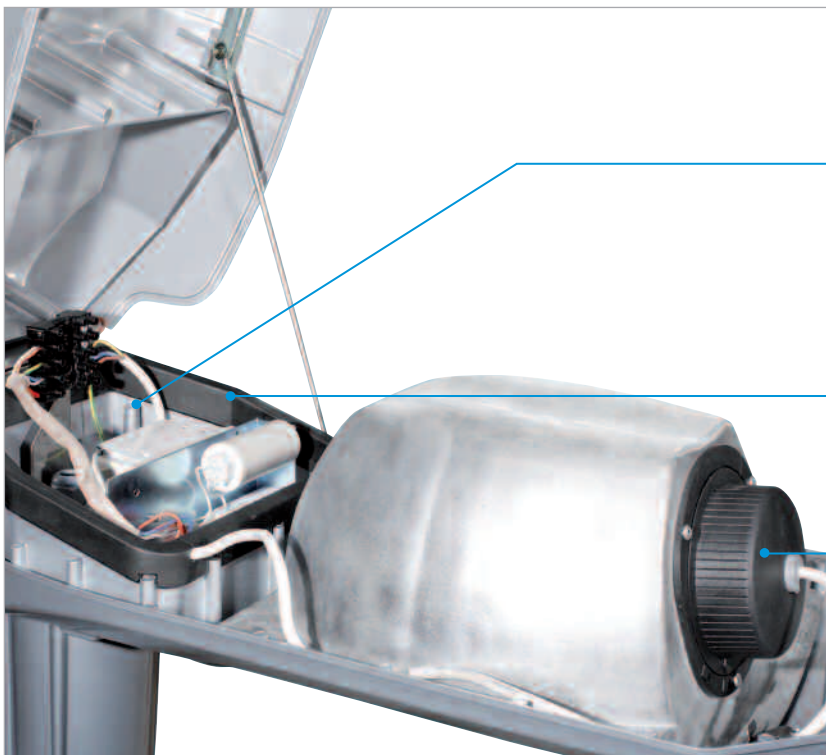
Photocells

To cater for the varying requirements of local authorities and end users a range of photocell options ranging from various miniature photocells to NEMA are available

features

QSS™ has been designed to take advantage of the latest technological advances in electronic control gear, remote monitoring and lamp technologies with its Q-Cool™ sealed gear compartment, Q-Tray™ gear tray and Q-Safe™ sealed optic.

Q-Cool™ System The heat generated by the lamp can be an issue regarding control gear life, especially when using electronic control gear. The in-built Q-Cool™ system, houses the control gear in a thermally sealed IP65 compartment separate from the lamp and optic. This feature keeps temperatures in the gear compartment significantly cooler than in conventional luminaires, helping to maximise control gear life.



Q-Tray™

Holophane's easy maintenance clip-in gear tray system.

Q-Cool™ system

Holophane's thermally sealed gear compartment, designed to maximise electronic gear life.

Q-Safe™ optic

Holophane's IP669 sealed optic system.

the Q-Cool™ compartment has been designed with remote monitoring devices in mind, allowing room for the additional components required.

Q-Tray™ The clip-in Q-Tray™ allows easy, tool-free control gear maintenance for magnetic control gear, saving time and cost. When using electronic control gear, the gear tray is fixed to the luminaire body via two screws to allow additional heat dissipation for longer gear life (minimal use of tools will be required for maintenance).

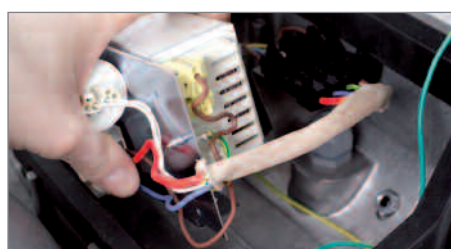
Q-Safe™ optic The Q-Safe™ optic has been designed to accommodate the latest in lamp technology, including compact fluorescent and the CosmoPolis lamp range from Philips. For quick and easy maintenance, the complete Q-Safe™ optic assembly can be replaced without the use of tools.

Q-Safe™ features a vibration-free twist-lock lampholder for tool-free re-lamping, which further cuts down on maintenance costs, while the IP 669 optic assembly offers total weather protection and maximum protection against vandalism with its 20 joule shock resistance.

Two enclosures are available: curved glass and a low profile polycarbonate bowl. While the polycarbonate bowl offers wider spacings and even higher vandal resistance, benefits of the glass enclosure include improved efficiency, lower perceived glare, no UV degradation and extended maintenance cycles.



Q-Cool™ Thermally sealed gear Compartment



Q-Tray™ Clip in gear tray system



Q-Safe™ Optic IP669 assembly



The Twist lock lampholder...



...enables tool free lamp access for ease of maintenance

applications

CEN Code:

S Class

ES Class

EV Class

CE Class

ME Class

Residential streets

Pedestrian areas

Developed especially for illuminance lighting to BS5489 2003, QSS™ is the latest addition to the Holophane QS street lighting range. The smallest in the range, QSS™ offers a contemporary look with a choice of light distributions and lamp types to suit a variety of applications. Its precisely engineered reflector controls and directs the light, saving energy and costs by minimising waste and spillage. With limited upward light, QSS™ conforms to Night time friendly requirements. The unique thermally sealed Q-Cool™ gear box system keeps the control gear cool, maximising gear life, especially important when using electronic control gear. Its durable LM6 aluminium construction, high maintenance factor and facility for tool-free maintenance take into account important issues of modern street lighting.



features and benefits

Pressure die-cast marine grade aluminium body.

- > Durability
- > Q-Cool™ System - thermally sealed gear box

Maximises electronic control gear life

- > Choice of optical arrangements
- > 'Night time friendly'

Maximised column spacing capabilities

- > Precisely controlled light output

Wide choice of light distributions

- > Maximum efficiency and uniformity for any application

Post-top or side entry mounting

- > Flexibility
- > 0° or 5° tilt settings
- > Q-Safe™ IP669 optic
- > Reduced maintenance costs

Q-Tray™ - Removable gear tray

- > Ease of maintenance

lamp types included

- 50W - 150W high pressure sodium
- 35W - 150W ceramic metal halide
- 42W - 70W compact fluorescent
- 45W - 140W CosmoPolis

IP rating

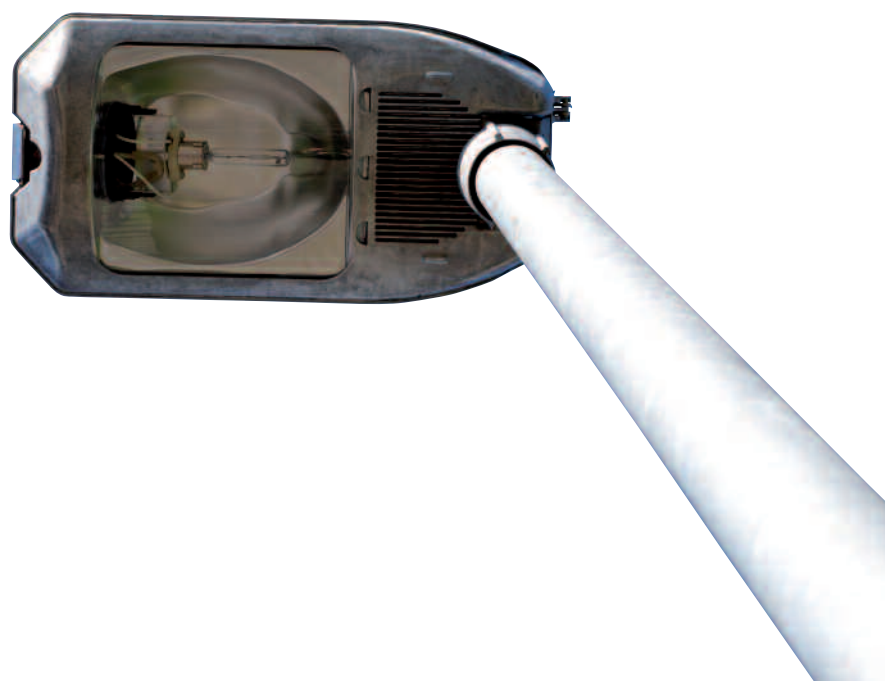
IP669 (optic) 

IP65 (gear compartment) 

approvals

Complies with EN60598

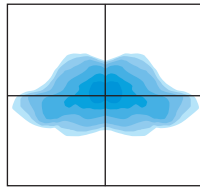
CE



specification

The luminaire shall consist of a high pressure die-cast low copper content LM6 grade aluminium body and canopy housing the control gear suitable for a range of compact fluorescent and HID lamps in a choice of wattages. The optic shall consist of an anodised aluminium reflector enclosed by toughened glass or a low profile polycarbonate bowl and sealed to IP669. The control gear shall be mounted on a removable gear tray when magnetic gear has been specified in a thermally sealed compartment separate from the reflector and lamp, which shall be sealed to IP65. Control gear and lamp shall be accessible via tool-free entry. The luminaire shall be suitable for 60mm or 76mm post-top (0° or 5° tilt) and 34mm or 42mm side entry (120mm spigot length) mounting, have a grey powder-coated finish canopy as standard and complies with EN60598.

light distribution



Photometric data is available at www.holophane.eu.com

windage

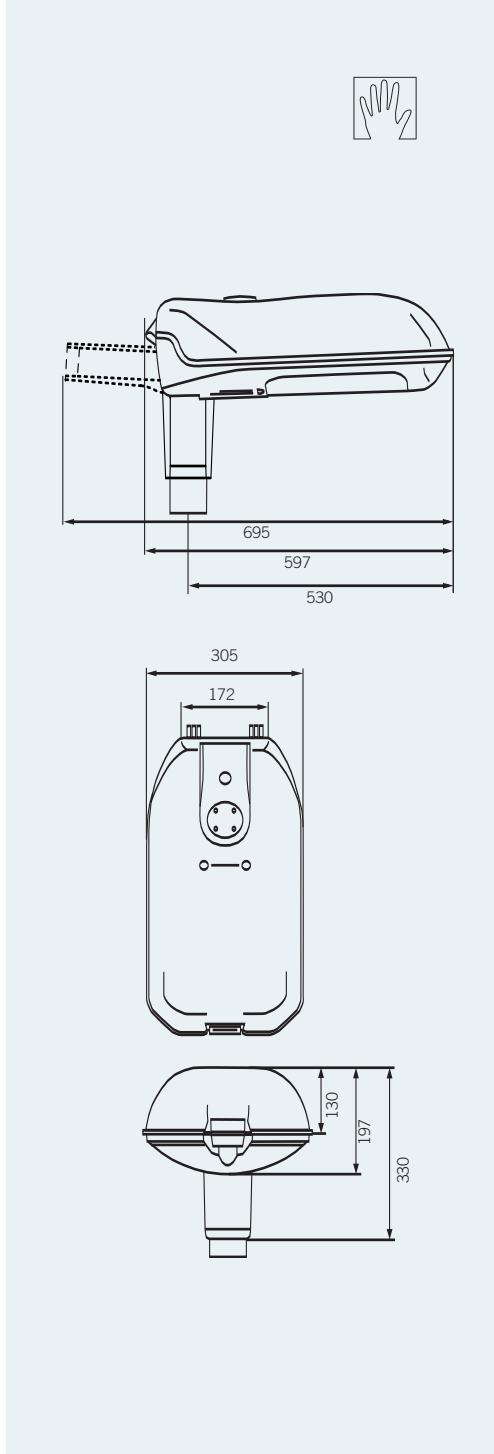
Code	
QSS.FLG	0.08m ²
QSS.LP	0.085m ²



Canopy stay



Q-Cool™ Cooling fins



weights & thermal data

Gear Type	Lamp Type	Weight (kg)*	Maximum Ambient Temperature TA**
Magnetic/wire-wound	100w-150w CDM	12.5	35
Magnetic/wire-wound	50w-70w CDM	12	35
Electronic/Harvard (.EH)	35w-150w CDM	10	50
Electronic/Zodion (.EZ)	50w-150w CDM	10	55
Electronic/SELC (.ES/.ESM)	50w-70w CDM	10 / 11.5***	60
Electronic/SELC (.ES/.ESM)	100w-150w CDM	10 / 11.5***	45
Electronic/Metrolight (.EM)	50w-150w CDM	10	55
Magnetic/Wire-wound	50w-150w SON	12	35
Electronic/Havard (.EH)	35w-150w SON	10	50
Electronic/Zodion (.EZ)	50w-150w SON	10	55
Electronic/SELC (.ES/.ESM)	50w-70w SON	10 / 11.5***	60
Electronic/SELC (.ES/.ESM)	100w-150w SON	10 / 11.5***	45
Electronic/Metrolight (.EM)	50w-150w SON	10	55
Electronic	42w-57w TRT	9.5	40
Electronic	70w TRT	10	35
Electronic/CosmoPolis	45w	10	65
Electronic/CosmoPolis	60w	10	60
Electronic/CosmoPolis	90w	10	45
Electronic/CosmoPolis	140w	10	35

* Weight is for .PT post mounting for .SE1 side entry -0.35kg. ** Without Nema socket. Contact Holophane for TA with Nema.

*** Extra 1.5kg with Candelon System



ordering details : luminaire



Code

Code	QSS curved glass lantern		Default lamp position			
Code	Lamp	CG	LP			
.50XT	50W Clear high output high pressure sodium lamp (E27) base	C2F	C3F			
.70XT	70W Clear high output high pressure sodium lamp (E27) base	C7F	C7F			
.100XT	100W Clear high output pressure sodium lamp (E40) base	D4F	D4F			
.150XT	150W Clear high output pressure sodium lamp (E40) base	A4F	A3F			
.35CDMTF3	35W Clear ceramic metal halide lamp (G12) base	B4E	B4E			
.70CDOTT	70W CDOTT Metal halide lamp (E27) base	D6F	SA1			
.100CDOTT	100W CDOTT Metal halide lamp (E40) base	C2F	C2F			
.150CDOTT	150W CDOTT Metal halide lamp (E40) base	D4F	D4F			
.42TRT	42W Triple tube 4000K compact fluorescent 4 pin lamp (Gx24q-4) base*	C4F	C4F			
.57TRT	57W Quadruple tube 4000K compact fluorescent 4 pin lamp (Gx24q-5) base*	C4C	C3C			
.70TRT	70W Quadruple tube 4000K compact fluorescent 4 pin lamp (Gx24q-6) base*	C4C	SA1			
.45CW	45W CosmoPolis lamp (PGZ12) base*	B5A	B5A			
.60CW	60W CosmoPolis lamp (PGZ12) base*	E8A	E8A			
.90CW	90W CosmoPolis lamp (PGZ12) base*	D2A	D2A			
.140CW	140W CosmoPolis lamp (PGZ12) base*	D2A	D2A			
.60CWLS6	60W CosmoLumistep 6 hour*	TBC	TBC			
Code		Mounting (Factory Fitted)				
.PT	60mm or 76mm post top entry					
.SE1	34mm or 42mm side entry (min spigot length 100mm)					
Code		Finish (Top Canopy Only)				
.C6	Grey (RAL 7035)					
.C7	Black (RAL 9005)					
.RAL****	RAL colour (customer choice)***					
Code		Options				
.EH	HID Electronic gear (Harvard)					
.EZ	HID Electronic gear (Zodion Zeba C)					
.EM	HID Electronic gear (Metrolight)					
.ES	HID Electronic gear (SELC inclusive of miniature photocell PECU)**					
.ESM	HID Electronic gear (SELC electronic monitoring inclusive of miniature photocell PECU)**					
.LP	Low profile polycarbonate bowl (replaces CG as standard)					
.U107	Macrolon vandal resistant cover (U107)					
.T1	Complete with NEMA socket (To accept NEMA photocell)					
.TMR	Complete with 70lux miniature factory fitted photocell (Royce Thompson Micro-Star Ultra 70lux)					
.TSC	Complete with 70lux miniature factory fitted photocell (SELC 849/2P)					
.TSZ	Complete with 100lux miniature factory fitted photocell (Zodion SS12)					
.TSZA	Complete with 55lux miniature factory fitted photocell (Zodion SS12A)					
.FS12	12m of flat twin & earth 2.5mm ² (max length catered for)					
.FF12	12m of 1.5mm ² 3 core cable flex (max length catered for)					
Code		Lamp option				
.LL	Lamp not included as standard					
Example	NQSS	.50XT	.PT	.C6	.EH	.LL

* Supplied as standard with electronic gear. *Not available with .EH, .EZ, .EM, .ES, .ESM HID electronic gear options.** Not available with .TMR, .TSC, .TSZ, .TSZA & .T1 (Miniature photocell or NEMA socket). ***Please specify RAL colour reference. Note: Other voltages available on request.

luminaire accessories

order separately for on-site installation by others

Code

HEL.NEMA	Holophane NEMA photocell
-----------------	--------------------------

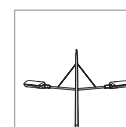
spares**Code**

QSS.CG	Complete spare reflector & curved glass enclosure
---------------	---

QSS.LP	Complete spare reflector & low profile polycarbonate bowl enclosure
---------------	---



ordering details : brackets

**Code**

QSSA	QSS Brackets					
	Code	Brackets				
	.1A	Single Head				
	.2A	Twin Head				
		Code	Bracket Type			
		.SA42	Side arm bracket suitable for 42mm entry			
		.SA425	5° tilt side arm bracket suitable for 42mm entry			
			Code	Suspension		
			.60B	60mm o/d		
			.76B	76mm o/d		
			.101B	101mm o/d		
			.127B	127mm o/d		
				Code	Colour	
				.C6	Grey (RAL 7035)	
				.C7	Black (RAL 9005)	
				.RAL****	RAL Colour (customer choice)*	
					Code	Paint Finish
					.C	Enhanced paint finish
Example	QSSA	.1A	.SA42	.60B	.C6	.C

*Please specify RAL colour reference.

